

American Commercial

American Commercial Body Parts Quick Reference Guide

Fleet Parts & Service, Inc.
590 Belleville Turnpike Building 22,
Kearny, NJ 07032

Fleet Parts & Service: (800) 645-4344

Page 1

American Commercial

Notes:

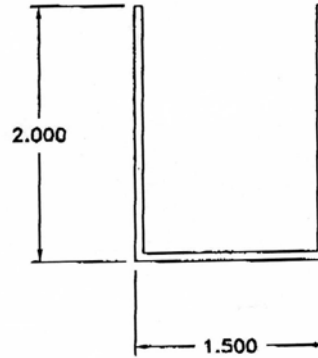
America's Body Company

DISCLAIMER

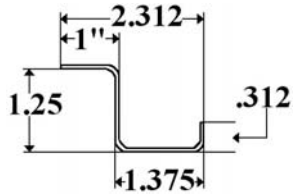
USE OF OEM OR MANUFACTURERS' NAME AND/OR PART NUMBERS IS FOR IDENTIFICATION PURPOSES AND SIMPLIFICATION ONLY AND IN NO WAY IS MEANT TO IMPLY THAT FLEET PARTS' ITEMS ARE AUTHORIZED OR IN ANY WAY AFFILIATED WITH THOSE MANUFACTURERS.

American Commercial

**Part 08020 - American Commercial
(America's Body Co.) Connector and
Universal Rail**

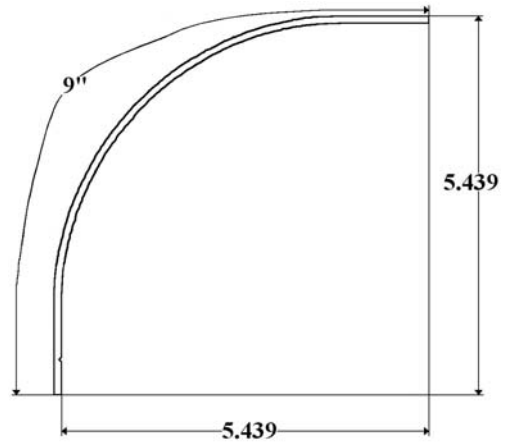


**Part 232-2D (96"), 2E (108"), &
232-NH (108") No Holes for FRP Body-
AC Steel Z Post**



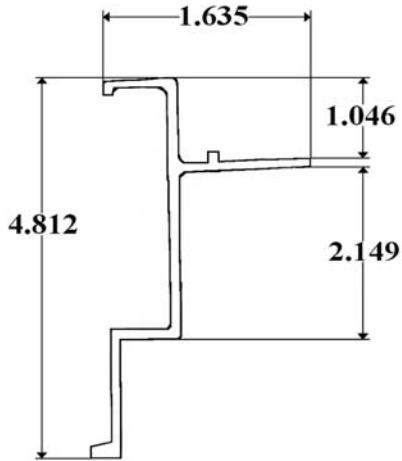
Punched on 3" Centers

Part 334-2- A/C Replacement Corner Post

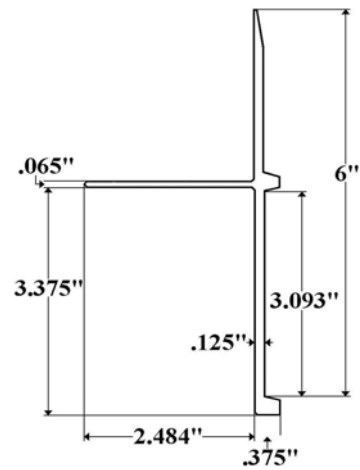


American Commercial

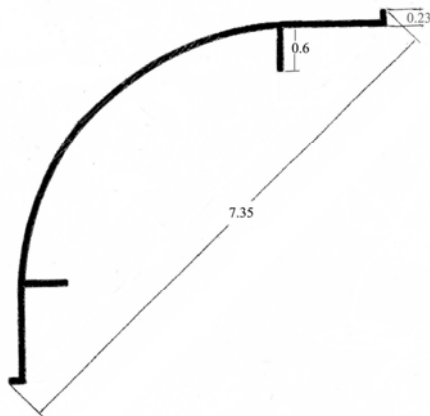
Part 8002- Top Rail A/C



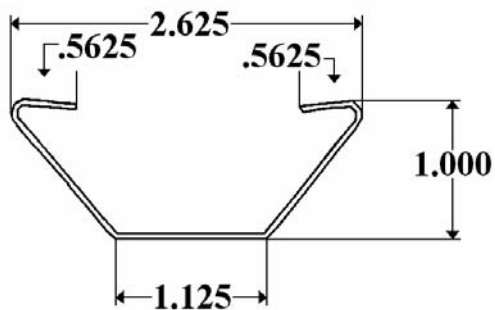
Part 8003- Bottom Rail A/C



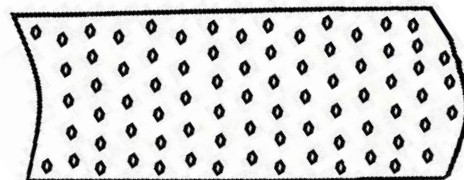
**Part 8010E – American Commercial
Front Corner Post**



**Part 820-1D (93-1/2") & 1E (99-1/2")-
Roof Bow**



**Part DPRR2496- A/C Aluminum
Diamond Plate Roof Radius**



.080 X 24" X 96"

American Commercial

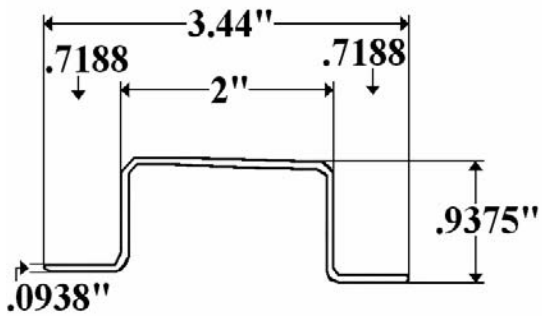
Part FP8000L- A/C Left/Front Cap



Part FP8000R- A/C Right/Front Cap



Part S3022- Steel Hat Starter Bow



T-Nut Bolt



5/16-18 X 3/4 WITH SEAL & PATCH

Round Base T Nut



5/16-18 X 3/8