

**Delta FZ
Delta QX
Gindy
Vanco
Body Parts
Quick Reference
Guide**

Fleet Parts & Service, Inc.
590 Belleville Turnpike Building 22,
Kearny, NJ 07032

Notes:

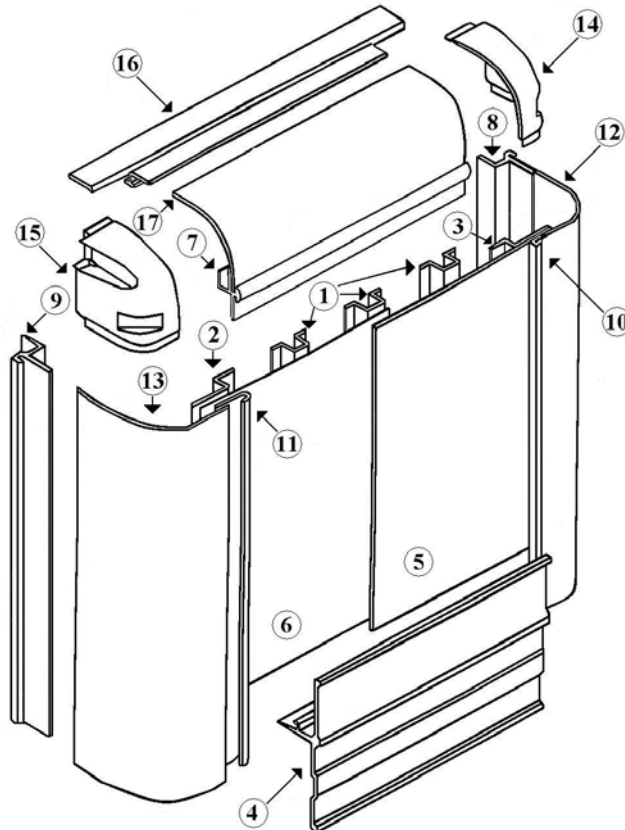
IF A BODY HAS REAR CORNER CAPS, IT'S A DELTA QX MODEL. IF NOT, IT'S A DELTA FZ, GINDY, OR VANCO.

QX HAS BOTH STRAIGHT FRONT ROOF & RADIUS ROOF. STRAIGHT ROOF USES AC1052 CORNER CAPS. RADIUS ROOF USES AC2165R&L CORNER CAPS.

DISCLAIMER

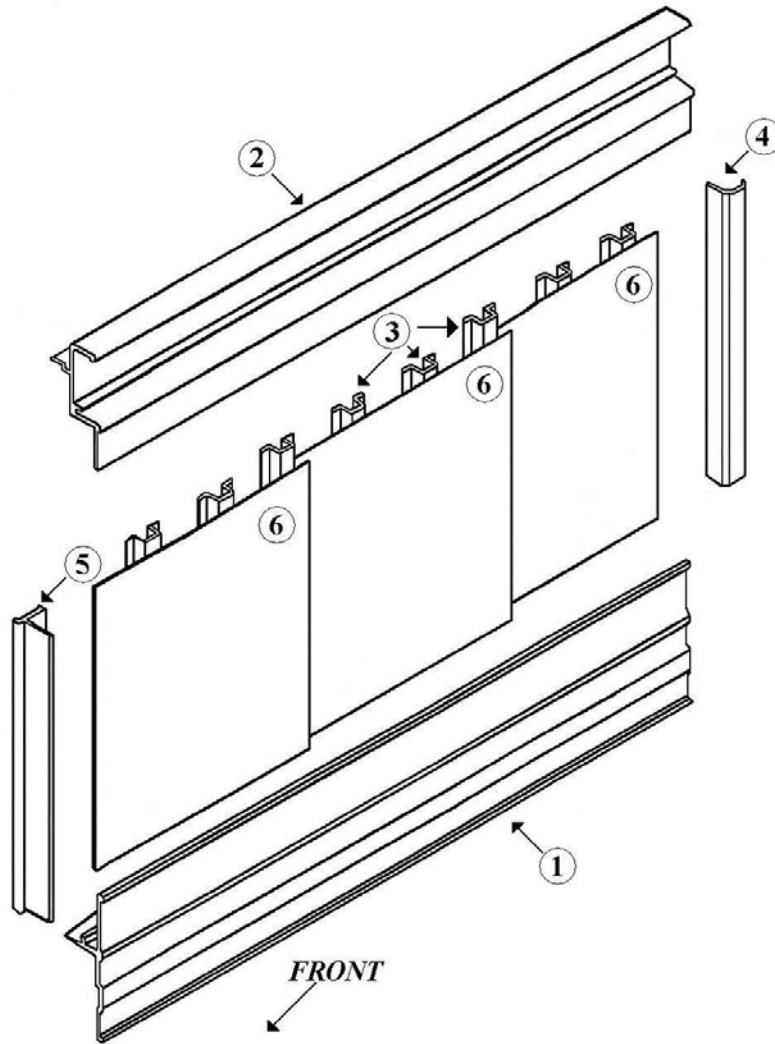
USE OF OEM OR MANUFACTURERS' NAME AND/OR PART NUMBERS IS FOR IDENTIFICATION PURPOSES AND SIMPLIFICATION ONLY AND IN NO WAY IS MEANT TO IMPLY THAT FLEET PARTS' ITEMS ARE AUTHORIZED OR IN ANY WAY AFFILIATED WITH THOSE MANUFACTURERS.

Delta FZ, Gindy, Vanco



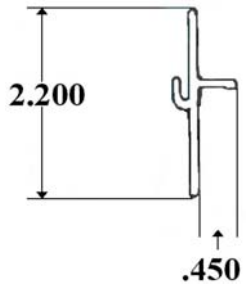
Number	Part Number	Description
1	S2022 232-2D & 2E	Hat Post Z Post
2 & 3	232-2D	Replace with 232-2D
4	5003	Replace with 5003
5 & 6	.040 X 49" X 96"	.040 X 49" X 96" Pre-Painted Panel
7	01025 01026	Replace with 01025 for Aluminum Body & 01026 for FRP Body
8 & 9		Replace with 077020
10 & 11		Replace with 001J/96
12 & 13	1010M	Use 1010M Trim 1" from Flat Side to make it 14.5" Wide
14	3950L	Front Corner Cap Left Side
15	3950R	Front Corner Cap Right Side
16	S2022	Starter Bow use S2022
17	1012M2	Use 1012M2

Delta FZ, Gindy, Vanco

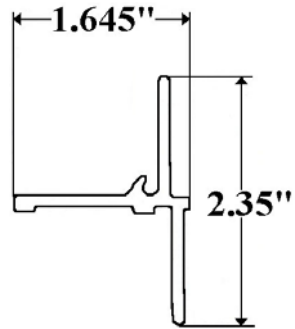


Number	Part Number	Description
1	5003	Replace Complete
2	7002	Replace Complete
3	S2022 or 232-2D	S2022 Hat Post or 232-2D Z-Post
4	077020	
5	01021	Use 01021
6	.040 X 49" X 96"	.040 X 49" X 96" Prepainted Panel

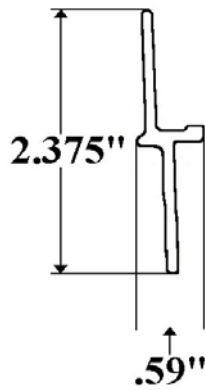
Part 01021- Vertical Connector
FRP Body



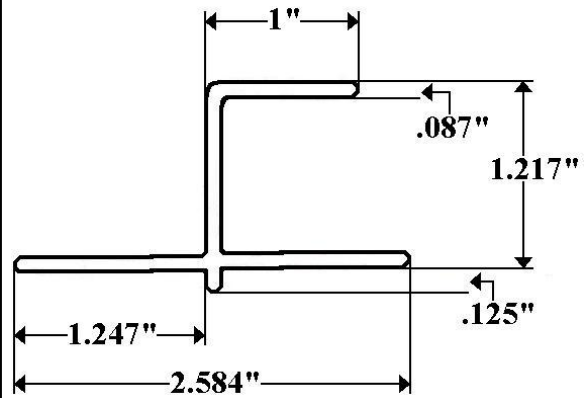
Part 01025- Horizontal Connector
Aluminum Body



Part 01026- Horizontal Connector
FRP Body



Part 077020- Vertical Connector
Aluminum Body



Part 1010M- Corner Radius Mill
15.28 X 96"

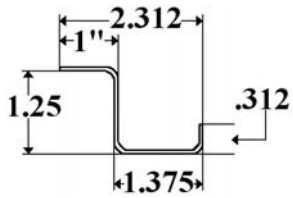


Trim 1" from Flat Side to make it 14.5" Wide

Part 1012M2- Roof Radius Mill
19.28 X 86.88

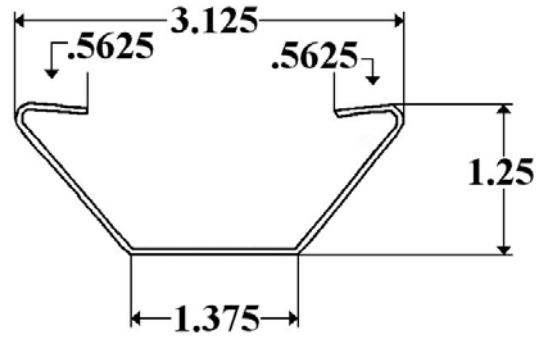


**Part 232-2D (96''), 2E (108''), &
232-NH (108'')- No Holes for FRP Body
Steel Z Post**



Punched on 3'' Centers

Part 390-1D (93'') & 1E (99'')- Roof Bow



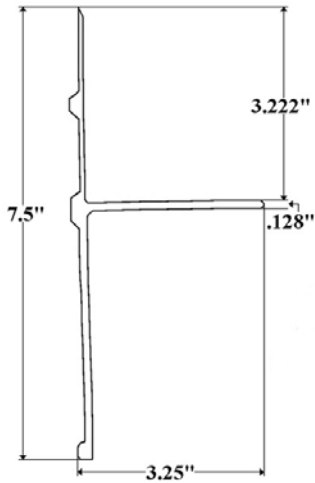
**Part 3950L- Delta, Gindy, Vanco
Left/Front Cap**



**Part 3950R- Delta, Gindy, Vanco
Right/Front Cap**

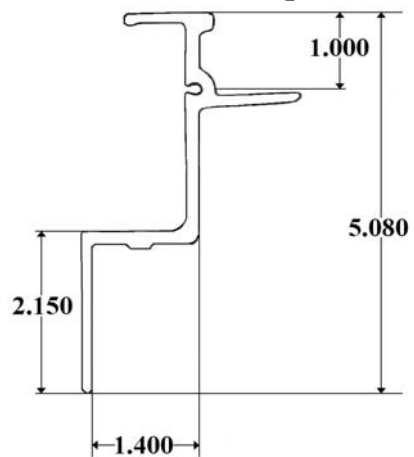


Part 5003- Bottom Rail



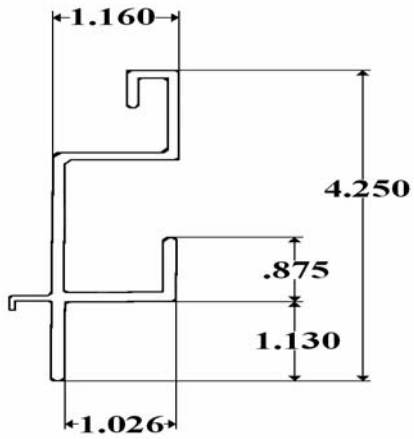
Replace Complete

Part 7002- Top Rail

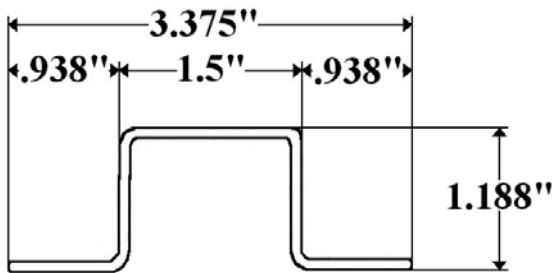


Replace Complete

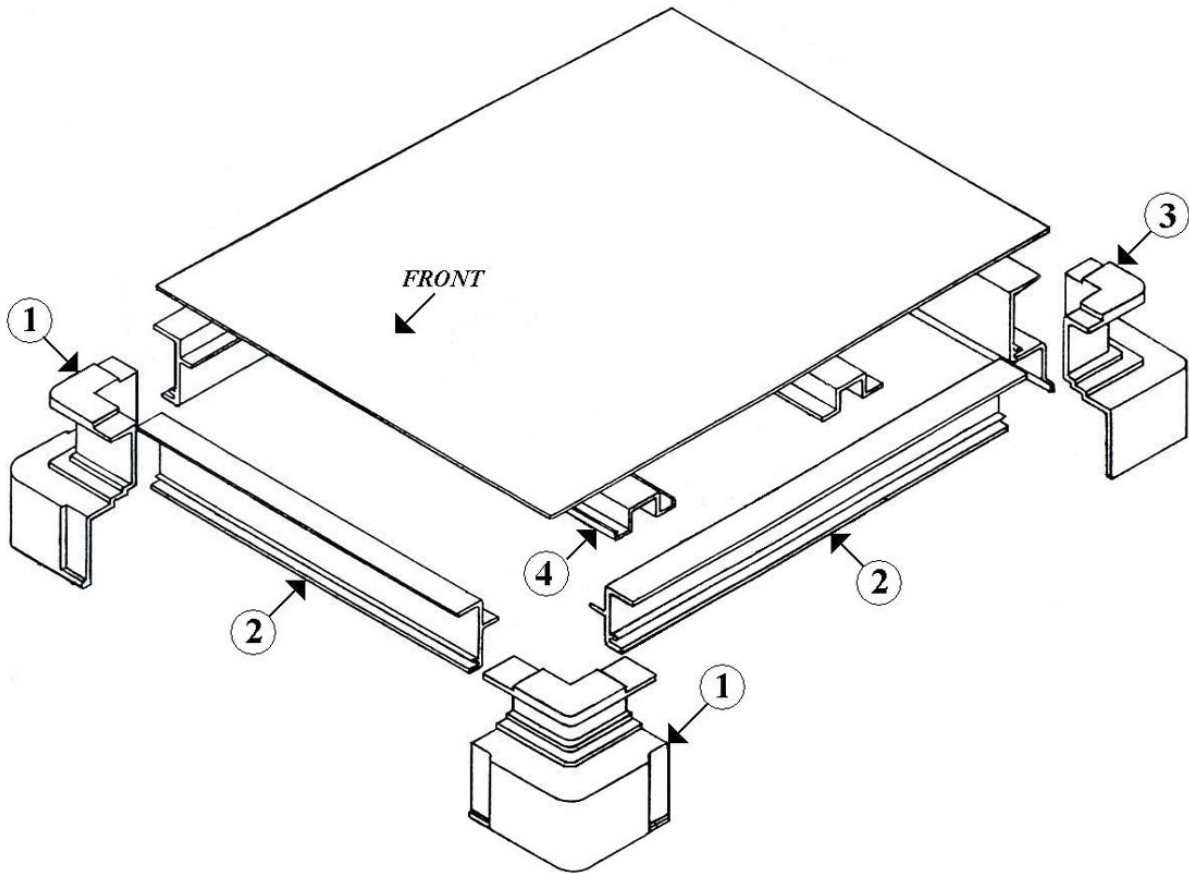
Part QX111- Side Door Frame Universal



Part S2022- Steel Hat Roof Bow & Side Post



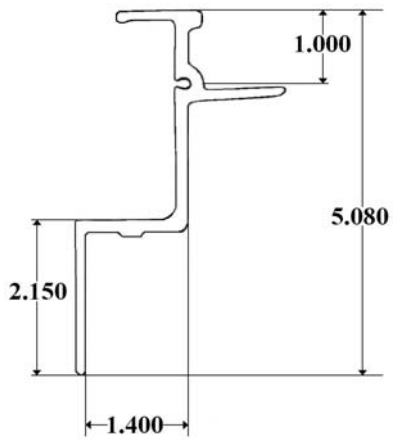
Delta QX



Number	Part Number	Description
1	AC 1052	Front Corner Caps
2	7002	Replace Complete Top Rail
3	AC816	Rear Corner Caps
4	S2022	Hat Roof Bow & Side Posts

Note: QX with Radius Roof uses AC2165R (Right) & AC2165L (Left) Corner Caps

Part 7002- Top Rail Delta QX



Change Complete

Part AC1052- Delta QX Front Cap



Part AC816- Delta QX Rear Cap



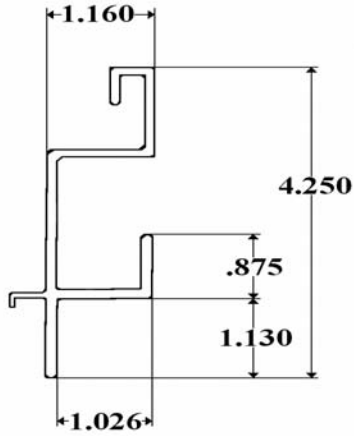
**Part AC2165L- Delta QX
Left/Front Cap**



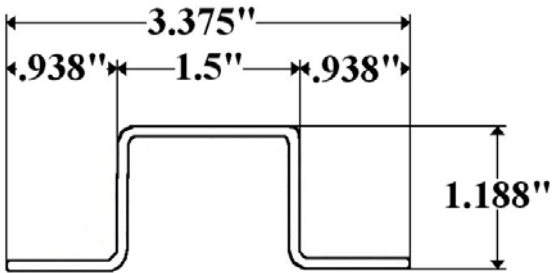
**Part AC2165R- Delta QX
Right/Front Cap**



Part QX111- Delta QX Side Door Frame



Part S2022- Delta QX Steel Hat Post & Roof Bow



Part TRVBOT- Delta QX Bottom Rail

