

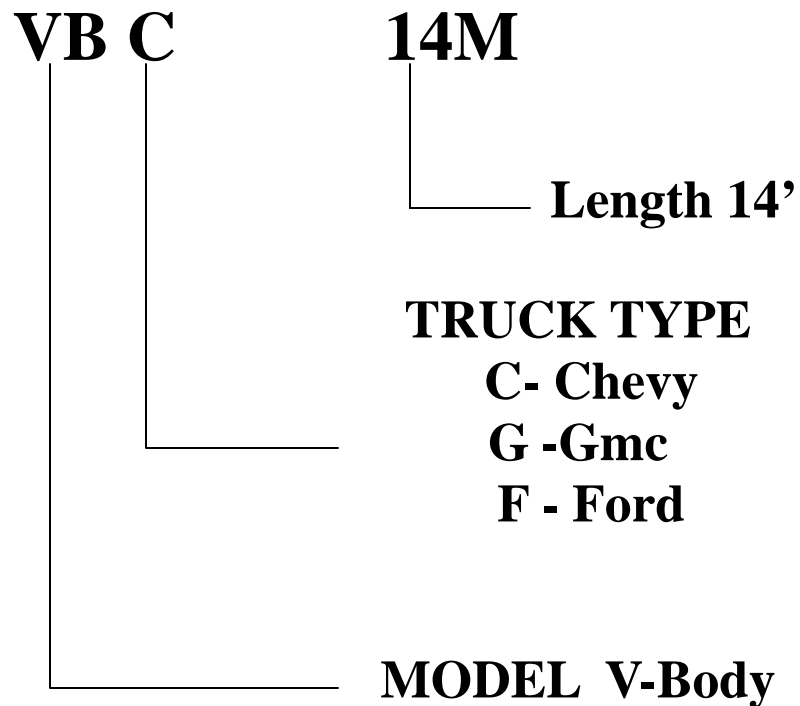
Grumman V-Body Quick Reference Guide

Fleet Parts & Service, Inc.
590 Belleville Turnpike Building 22,
Kearny, NJ 07032

Grumman V-Body

Notes:

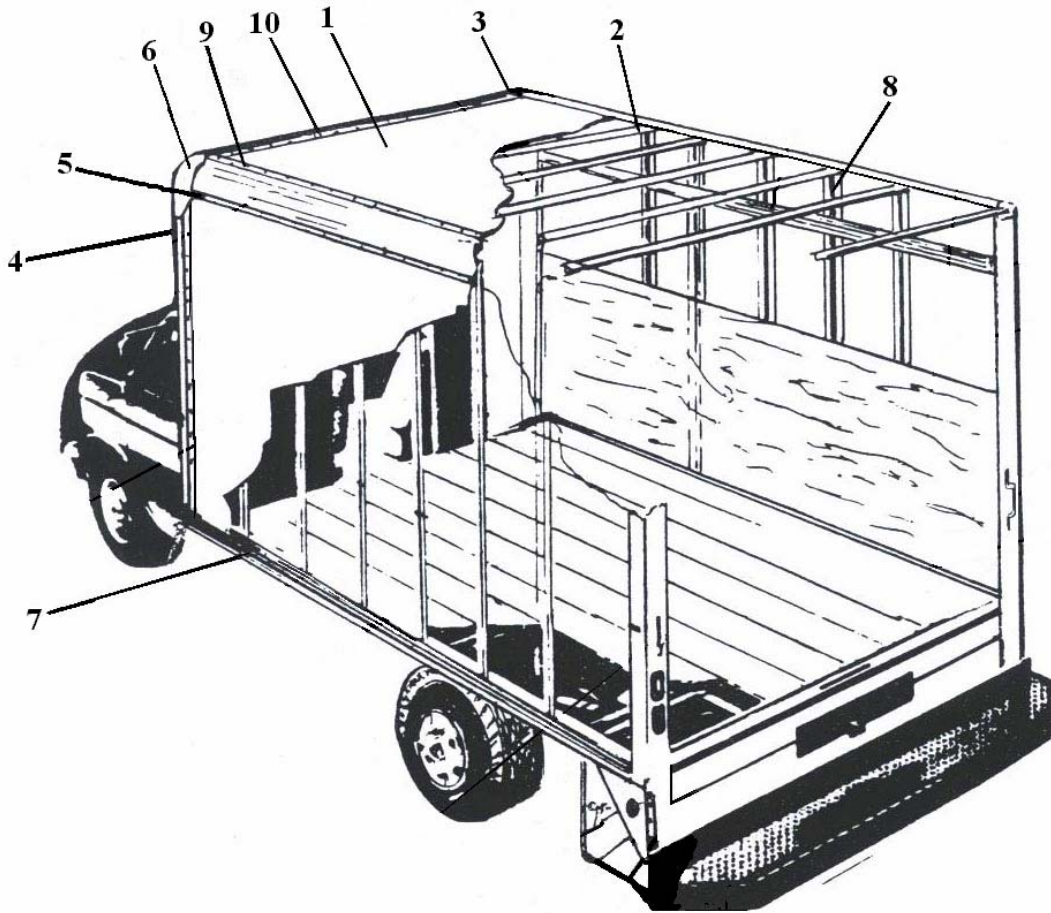
MODEL NUMBER EXPLANATION



DISCLAIMER

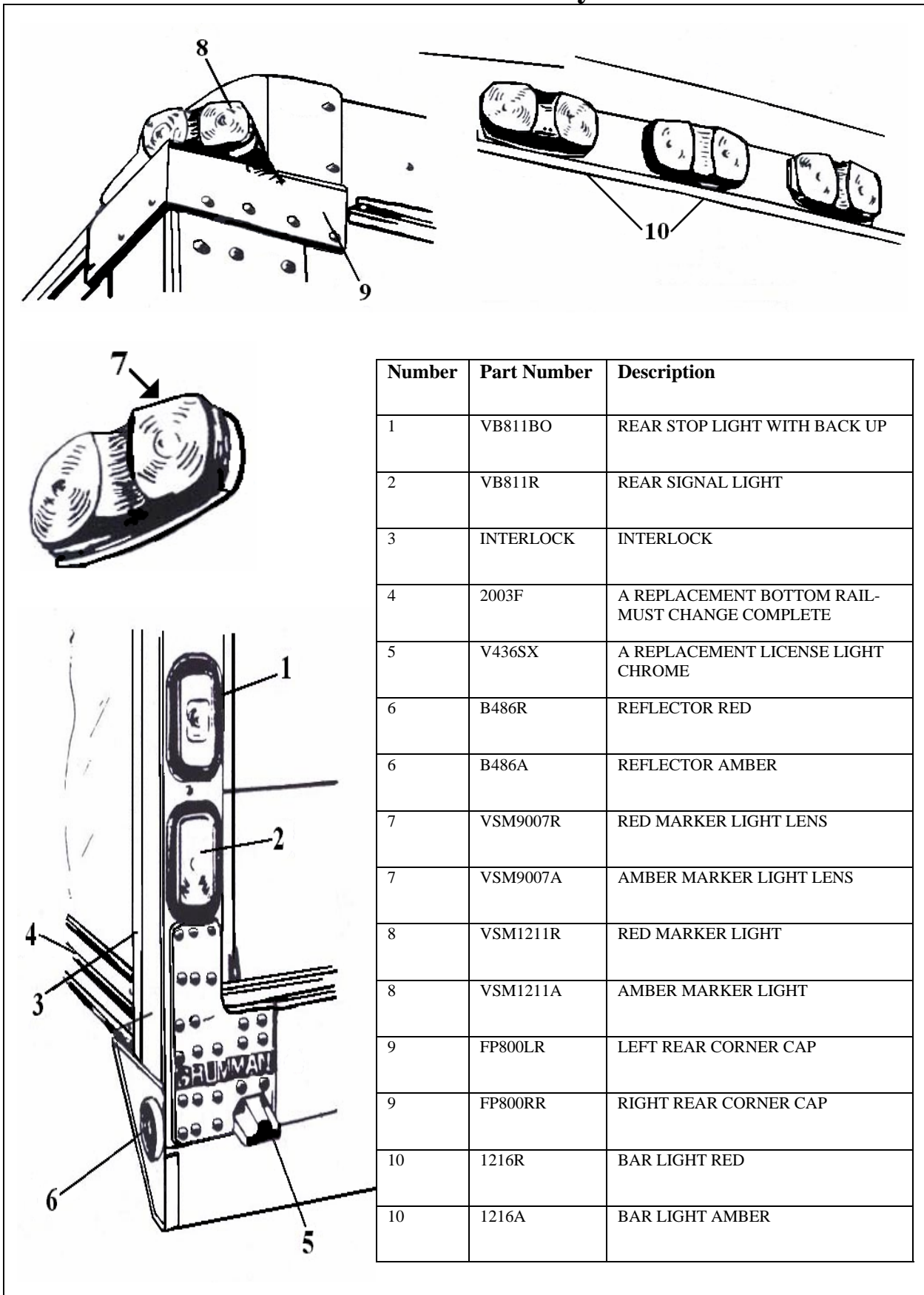
USE OF OEM OR MANUFACTURERS' NAME AND/OR PART NUMBERS IS FOR IDENTIFICATION PURPOSES AND SIMPLIFICATION ONLY AND IN NO WAY IS MEANT TO IMPLY THAT FLEET PARTS' ITEMS ARE AUTHORIZED OR IN ANY WAY AFFILIATED WITH THOSE MANUFACTURERS.

Grumman V-Body



Number	Part Number	Description
1	AR040X96	ALUMINUM ROOFING
2	VB806	STEEL ROOF BOW
3	FP800RF	RIGHT FRONT CORNER CAP (CURBSIDE)
4	VB801	FRONT CORNER POST (USES INTERLOCK)
5	INTERLOCK	INTERLOCK
6	FP800LF	LEFT FRONT CORNER CAP (ROADSIDE)
7	2002F	BOTTOM RAIL (REPLACEMENT) MUST CHANGE COMPLETE
8	VB805	STEEL HAT SIDE POST
9	VB804/16	TOP RAIL (REPLACEMENT) MUST CHANGE COMPLETE 16'
10	VB802	ROOF RADIUS LOWER
10	VB803	ROOF RADIUS UPPER

Grumman V-Body



Number	Part Number	Description
1	VB811BO	REAR STOP LIGHT WITH BACK UP
2	VB811R	REAR SIGNAL LIGHT
3	INTERLOCK	INTERLOCK
4	2003F	A REPLACEMENT BOTTOM RAIL- MUST CHANGE COMPLETE
5	V436SX	A REPLACEMENT LICENSE LIGHT CHROME
6	B486R	REFLECTOR RED
6	B486A	REFLECTOR AMBER
7	VSM9007R	RED MARKER LIGHT LENS
7	VSM9007A	AMBER MARKER LIGHT LENS
8	VSM1211R	RED MARKER LIGHT
8	VSM1211A	AMBER MARKER LIGHT
9	FP800LR	LEFT REAR CORNER CAP
9	FP800RR	RIGHT REAR CORNER CAP
10	1216R	BAR LIGHT RED
10	1216A	BAR LIGHT AMBER

Grumman V-Body

**Part FP800LF- Grumman V-Body
Left/Front Cap**



**Part FP800RF- Grumman V-Body
Right/Front Cap**



**Part FP800LR- Grumman V-Body
Left/Rear Cap**



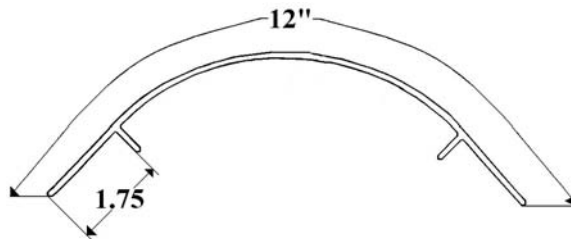
Use VSM 1211R Light

**Part FP800RR- Grumman V-Body
Right/Rear Cap**



Use VSM 1211R Light

**Part VB804/16 (16')- Replacement
Top Rail**



Must Replace Complete