

**Marathon**

**Marathon/  
Metro/  
Satellite  
Body Parts  
Quick  
Reference  
Guide**

**Fleet Parts & Service, Inc.**  
590 Belleville Turnpike Building 22,  
Kearny, NJ 07032

## **Marathon**

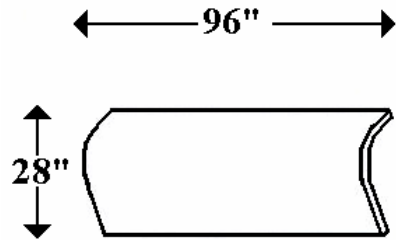
# **Notes:**

### DISCLAIMER

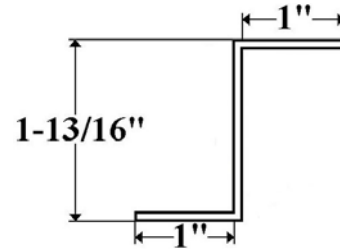
*USE OF OEM OR MANUFACTURERS' NAME AND/OR PART NUMBERS IS FOR IDENTIFICATION PURPOSES AND SIMPLIFICATION ONLY AND IN NO WAY IS MEANT TO IMPLY THAT FLEET PARTS' ITEMS ARE AUTHORIZED OR IN ANY WAY AFFILIATED WITH THOSE MANUFACTURERS.*

# Marathon

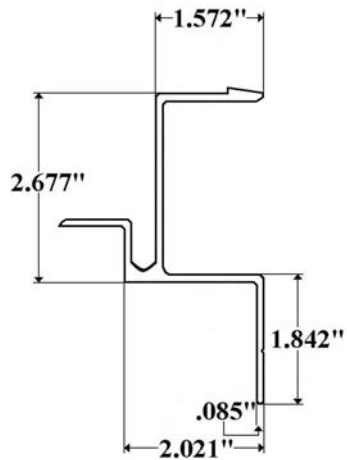
**Part 3912W (White)- Marathon  
Roof Radius**



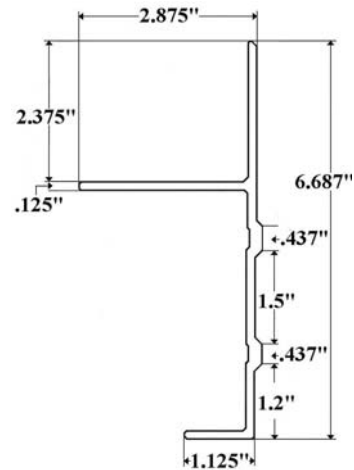
**Part 932-2E- Marathon Steel Z Post  
1-13/16" X 107-7/8" Punched**



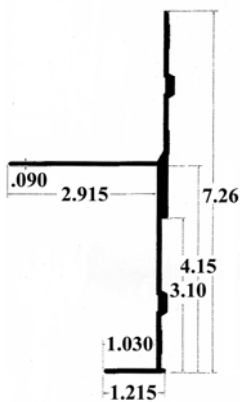
**Part 9902- Marathon Top Rail**



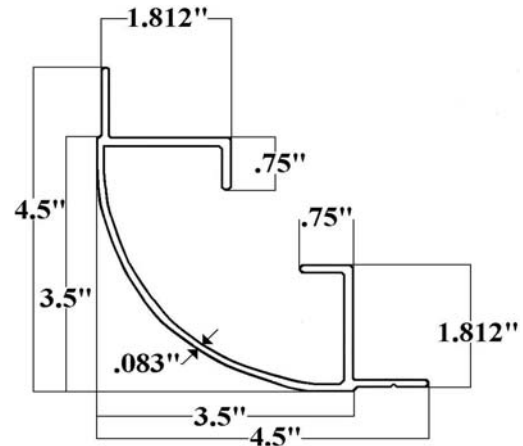
**Part 9903F- Marathon Bottom Rail**



**Part 9904- Marathon Bottom Rail  
Aluminum Body**



**Part 9910E (108")- Marathon  
Front Corner Post**



# Marathon

**Part FP9900AF- Marathon Rear  
Corner Cap**



**Part FP9900L- Marathon  
Left/Front Corner Cap**



**Part FP9900R- Marathon  
Right/Front Corner Cap**



**Part FP9950L- Marathon  
Left/Front Corner Cap *New Style***



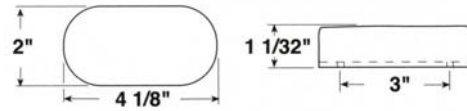
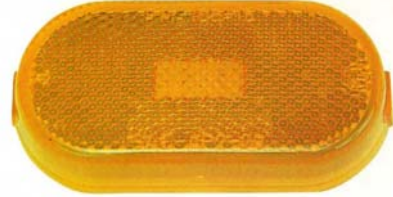
**Part FP9950R- Marathon  
Right/Front Corner Cap *New Style***



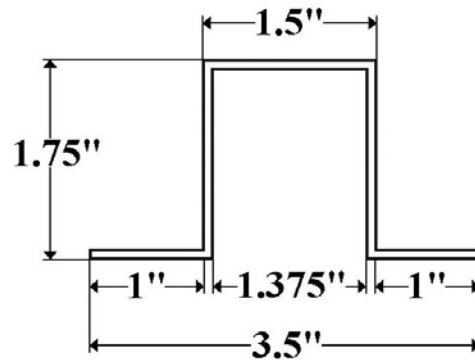
# Marathon

**Note:** FP9950R and FP9950L use the Marker Light Part PM108A.

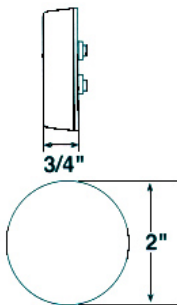
**Part PM108A (Amber)  
Part PM108R (Red)  
Marker Light**



**Part S9922- Marathon Steel Hat  
Roof Bow  
1-3/4" X 98-7/8"**



**Part VSM1030A & R-  
2" Sealed Lamp**



**Part VSM9239-  
Mount Kit for 2" Sealed Lamp**

