

Mickey

Mickey Body Parts Quick Reference Guide

Fleet Parts & Service, Inc.
590 Belleville Turnpike Building 22,
Kearny, NJ 07032

Mickey

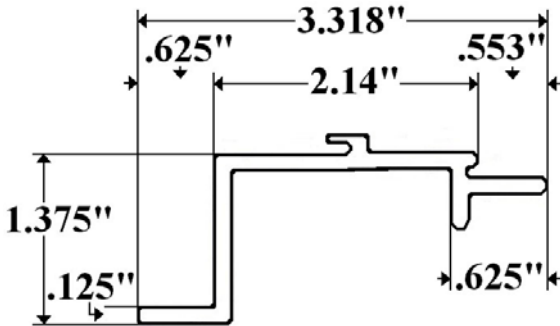
Notes:

DISCLAIMER

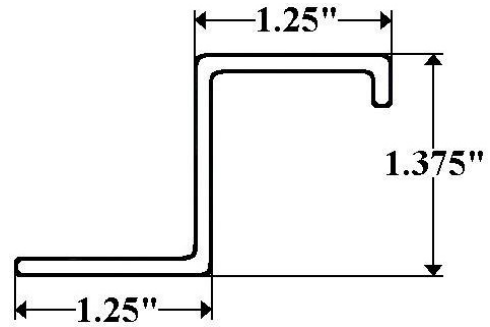
USE OF OEM OR MANUFACTURERS' NAME AND/OR PART NUMBERS IS FOR IDENTIFICATION PURPOSES AND SIMPLIFICATION ONLY AND IN NO WAY IS MEANT TO IMPLY THAT FLEET PARTS' ITEMS ARE AUTHORIZED OR IN ANY WAY AFFILIATED WITH THOSE MANUFACTURERS.

Mickey

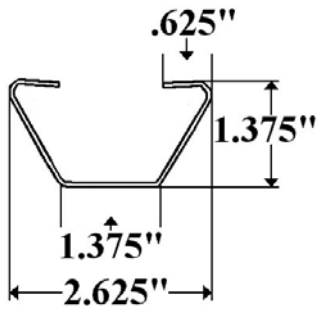
Part 06020- 108" Mickey Connector



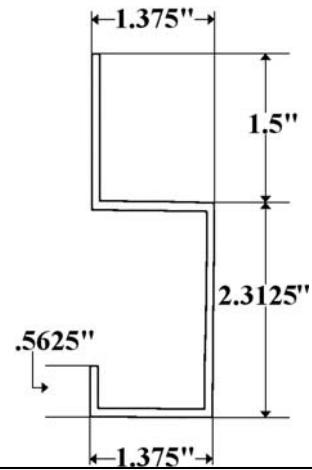
Part 332-2D (97"), 2E (108") & 2F (112")- Aluminum Z-Post Mickey



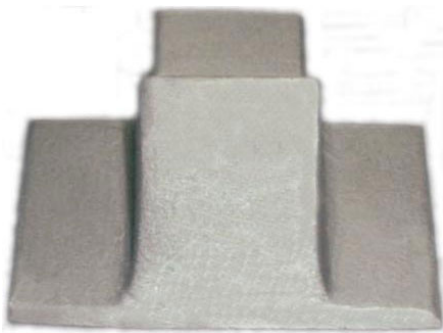
Part 421-1D (92") & 1E (98")- Mickey Roof Bow



Part 427-1 (98")- Starter Bow Mickey



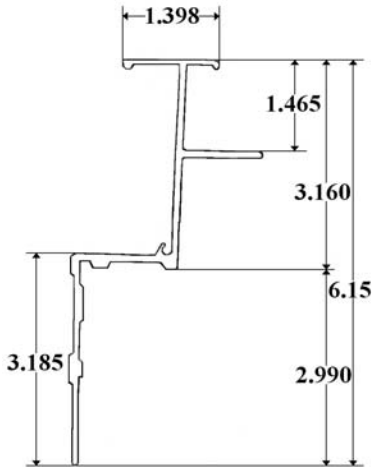
Part 531- End Cap



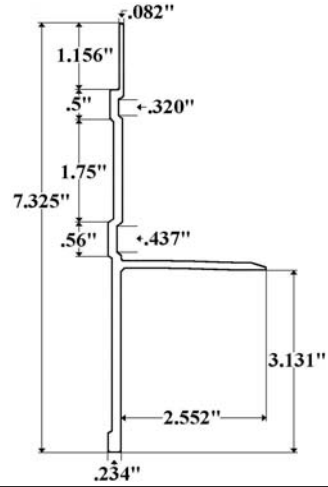
For RR531 Extrusion

Mickey

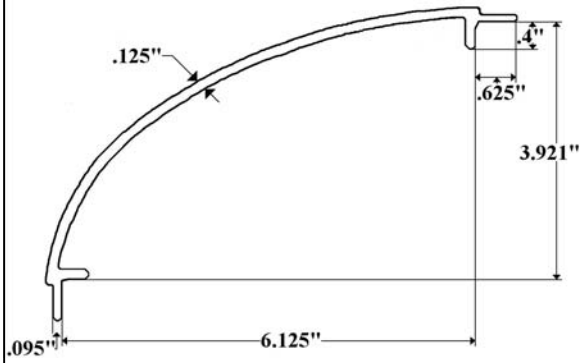
Part 6002- Mickey Top Rail



Part 6003- Mickey Bottom Rail



Part 6010E (106")- Mickey Front Corner Post



Part 6012M- Mickey Roof Radius Fits bodies up to 102" wide



15-1/4" X 91"

Part FP6000L- Mickey Left/Front Cap



Obsolete use FP6500L

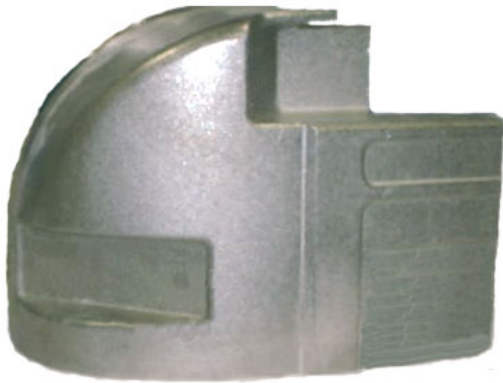
Part FP6000R- Mickey Right/Front Cap



Obsolete use FP6500R

Mickey

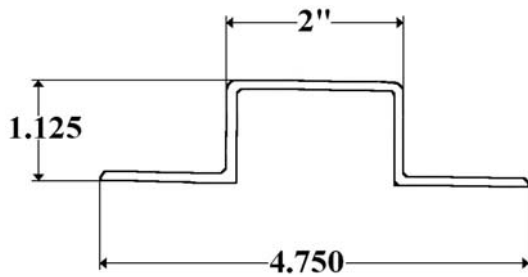
**Part FP6500L- Mickey Left/Front
Corner Cap**



**Part FP6500R- Mickey Right/Front
Corner Cap**

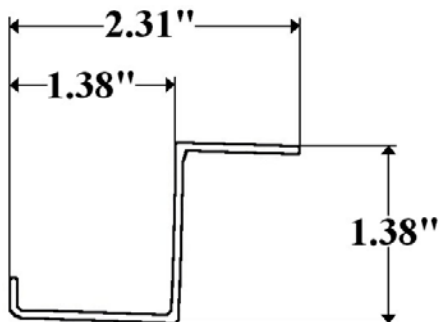


**Part RR531/24 (24') & RR531/28 (28')-
RUB Rail**



Uses Casting #531

Part S332-2- Steel Z Post Mickey



Mickey

MICKEY SIDE DOOR HINGE

Part P2408AS 8" Aluminum with Stainless Steel Pin

