

RECESSED ROPE RING

No. 601

For use with 3/8" plywood. Manufactured from 14 ga. steel. Pan recessed 3/8" to allow mounting direct to truck body or trailer body cross members. 3 Mounting holes countersunk for 1/4" screws.

Specifications:

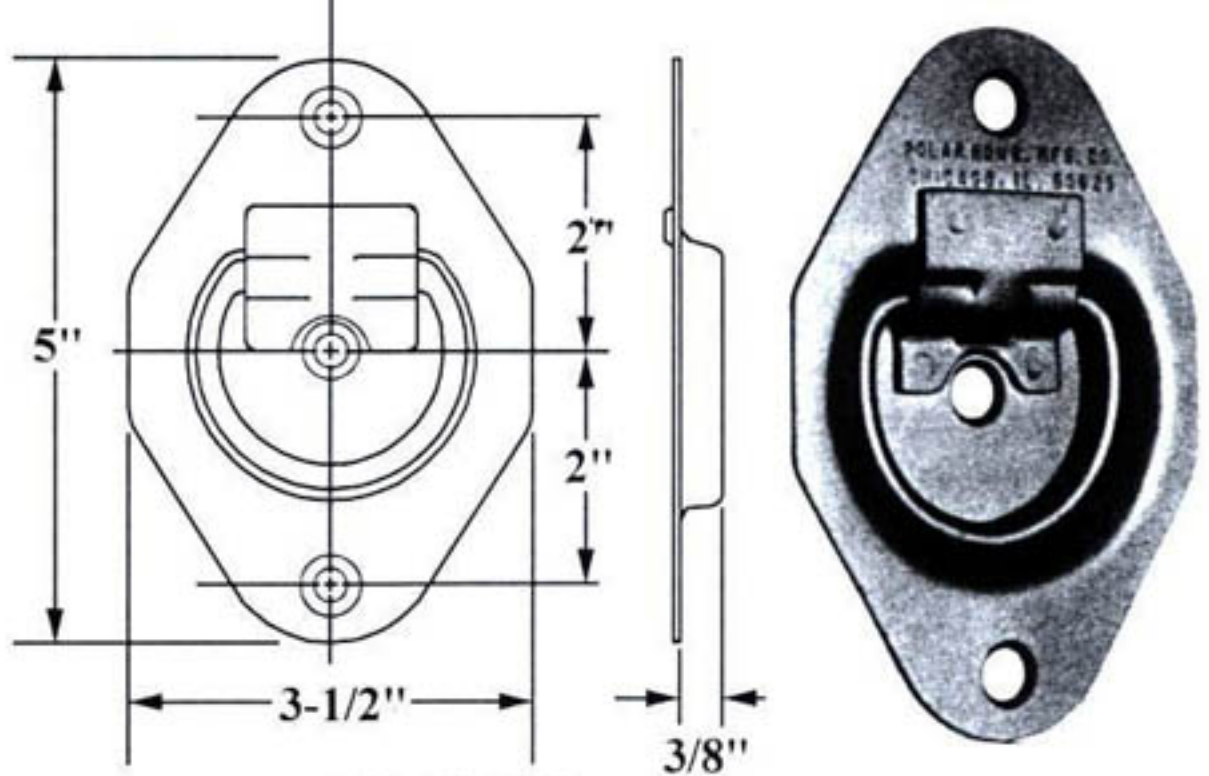
Overall length — 5"

Overall width — 3-1/2"

Depth — 3/8"

Finish — Zinc plated

Weight — 1/2 lb.



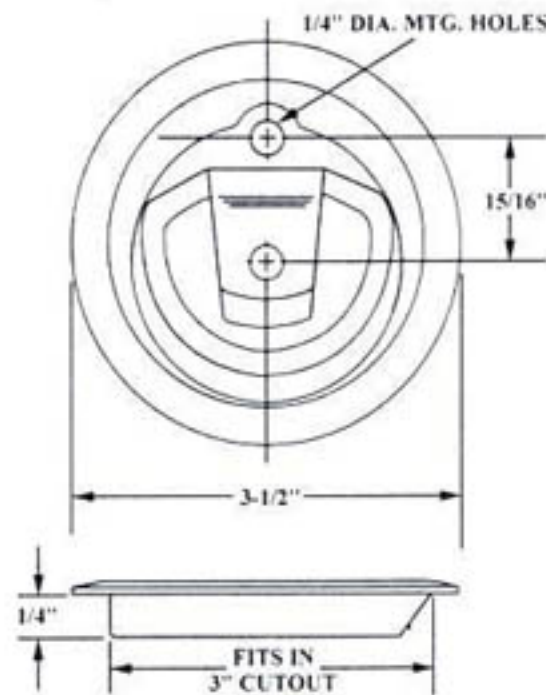
RECESSED ROPE RING

No. 701

For use with 1/4" plywood. Manufactured from 16 ga. steel. Solid one piece construction dish design assures strong retention of 1/4" dia. D-Ring. 3-1/2" dia., 2 mounting holes for 1/4" screws.

Finish — Zinc plated

Weight — 1/2 lb.

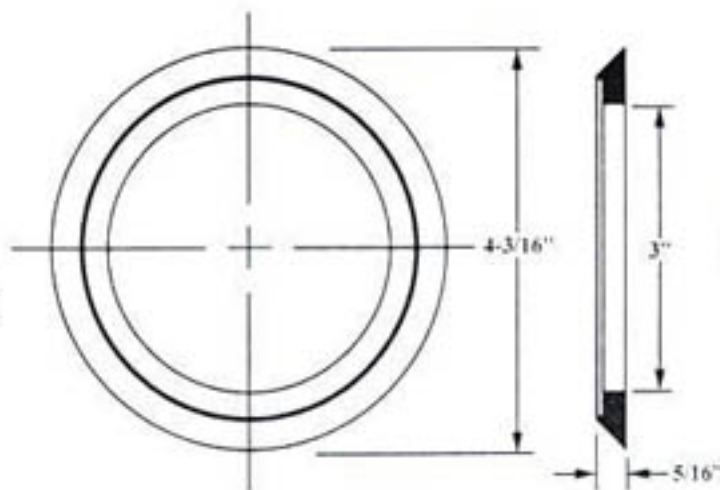


TRIM RING

No. 701-201

Black plastic trim ring for surface mounting of the 701 rope ring.

4.2" diameter, .3" thick.



ECONOMY ROPE RING

No. 700

Surface mount rope ring and mounting strap.

Specifications:

Bracket — 10 Ga. Steel

"D" Ring — .225 Dia. Steel

Finish — Zinc Plated

